

INW Roots blowers



Circulating Air Cooling ROOTS BLOWER



INECO

**Air and Vacuum
Components**

www.in-eco.eu

1

INW Roots blowers

Advantages:

- > Tri-Lobe Roots Blower
- > Air cooled and circulated for whole blower
- > Operate quietly , Extreme low vibration
- > Saving electricity , High efficiency
- > Vertical type designed , Space saving
- > Stable construction , Maintain easily
- > Cleaner air , Oil free conveying
- > Coupling driven without belt

Application:

- > Waste Water Treatment, Aquaculture
- > Electroplating Industry, Powder Conveyance
- > Grain Conveyance, Paper Production
- > Food Industry, Semiconductor Industry
- > Chemical Industry...etc.
- > Especially suitable to install in Hospital
- > School,Hotel, Residential Area
- > Office Building whereneed low noise.

1

INW Roots blowers

—

Circulating Air Cooling ROOTS BLOWER

Circulating Air Cooling ROOTS BLOWER

Type	Input power (kW)	Max. pressure (mbar)	100 mbar	200 mbar	300 mbar	400 mbar	500 mbar	600 mbar	Weight (kg)	Blower con- nection (mm)
			m³/h	m³/h	m³/h	m³/h	m³/h	m³/h		
Three phases										
INW R32 H55	0,55	350	26,1	23,5	21,4	-	-	-	54	32
INW R40 H75	0,74	550	44,4	39,6	36	32,4	29,4	-	78	40
INW R45 H75	0,74	300	57,6	51,6	46,8	-	-	-	83	40
INW R45 H15	1,5	600	57,6	51,6	46,8	42	37,8	34,2	90	40
INW R50 H15	1,5	400	113,4	106,2	99,6	87	-	-	127	50
INW R50 H22	2,2	600	113,4	106,2	99,6	87	79,2	69	143	50
INW R60 H22	2,2	450	143,4	133,8	125,4	114,6	-	-	168	65
INW R60 H37	3,7	600	143,4	133,8	125,4	114,6	109,2	105	176	65
INW R65 H22	2,2	350	165,6	155,4	145,2	-	-	-	183	65
INW R65 H30	3,0	450	165,6	155,4	145,2	136,2	-	-	187	65
INW R65 H37	3,7	600	165,6	155,4	145,2	136,2	129,6	115,2	191	65
INW R75 H37	3,7	500	202,8	190,8	180	168	157,2	-	214	80
INW R75 H55	5,5	600	202,8	190,8	180	168	157,2	151,8	236	80
INW R80 H55	5,5	500	271,2	258,6	249	236,4	223,8	-	253	80
INW R80 H75	7,5	600	271,2	258,6	249	236,4	223,8	213	264	80
INW R90 H55	5,5	300	385,8	362,40	343,8	-	-	-	-	90
INW R90 H75	7,5	600	385,8	362,40	343,8	325,8	310,2	295,2	-	90
INW R100 H75	7,5	200	494,4	466,8	-	-	-	-	-	100
INW R100 H11	11	600	494,4	466,8	442,2	420	400,8	384	-	100
INW R110 H11	11	400	598,8	565,8	535,8	508,8	-	-	-	110
INW R110 H15	15	600	598,8	565,8	535,8	508,8	485,4	465	-	110
INW R125 H11	11	300	684	648	612	-	-	-	-	125
INW R125 H15	15	500	684	648	612	581,4	554,4	-	-	125
INW R125 H18	18,5	600	684	648	612	581,4	554,4	531	-	125
INW R150 H18	18,5	400	1176	1128	1086	1044	-	-	-	125
INW R150 H22	22	500	1176	1128	1086	1044	1014	-	-	125
INW R150 H30	30	600	1176	1128	1086	1044	1014	984	-	125

Type	Input power (kW)	Max. pressure (mbar)	100 mbar	200 mbar	300 mbar	400 mbar	500 mbar	600 mbar	Weight (kg)	Blower con- nection (mm)
			m³/h	m³/h	m³/h	m³/h	m³/h	m³/h		
Single phase										
INW R45 A15	1,5	600	57,6	51,6	46,8	42	37,8	34,2	90	40

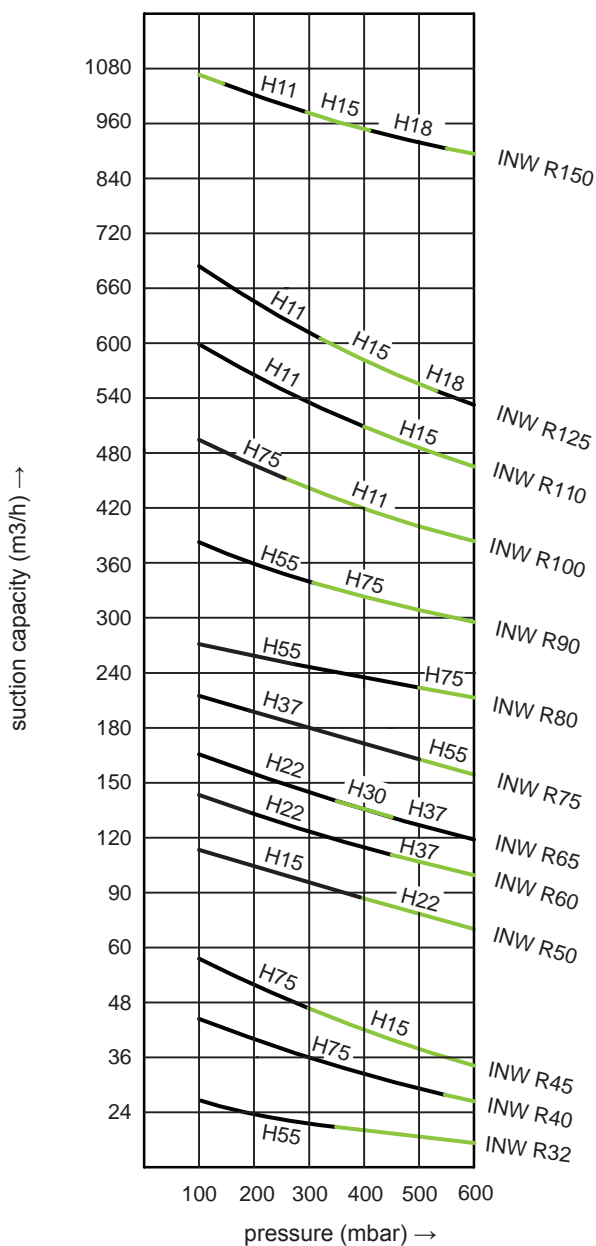
* Please request 60 Hz data

Circulating Air Cooling ROOTS BLOWER

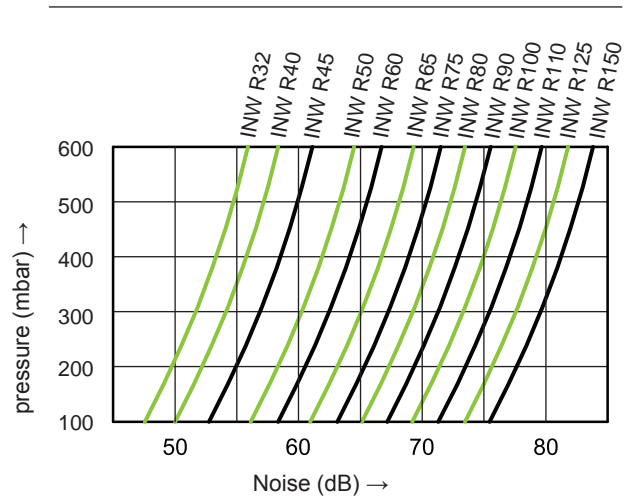
Performance curves

Operating curves (50 Hz)

Performance curves are defined for the air transportation with the temperature 15°C set for the suction by the atmospheric pressure 1013 mbar with the permissible deviation +/- 10%. Total pressure difference is valid for the temperature of the suction air and the ambient operating temperature 25°C.



Noise Curve



* Please request 60 Hz data

INW Roots blowers

Dimensions

Type	L (mm)	W (mm)	H (mm)	D (mm)	Blower connection JIS 10K	Gear oil volume (ml)
INW R32	488	400	704	275	1 ¼"	850

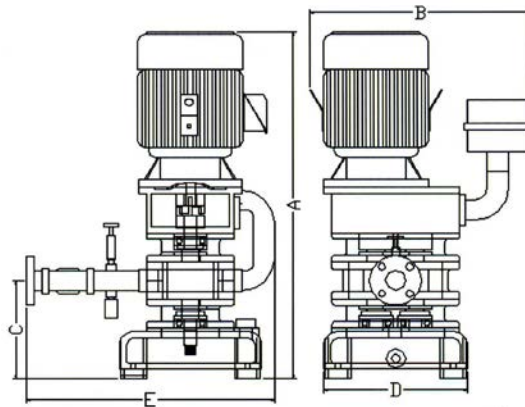
Type	L (mm)	W (mm)	H (mm)	D (mm)	Blower connection (inner thread)	Gear oil volume (ml)
INW R40	547	339	711	275	1 ½"	850
INW R45	547	339	711	275	1 ½"	850

Type	L (mm)	W (mm)	H (mm)	D (mm)	Blower connection JIS 10K	Gear oil volume (ml)
INW R50	670	420	1039	330	2"	2150
INW R60	687	428	1082	330	2 ½"	2150
INW R65	727	450	1055	370	2 ½"	2450
INW R75	824	465	1250	370	3"	2450
INW R80	824	465	1295	370	3"	2450
INW R90	884	533	1408	512	4"	5700
INW R100	952	580	1438	512	4"	5700
INW R110	1060	580	1981	512	5"	5700
INW R125	1070	580	2006	512	5"	5700
INW R150	1266	703	2045	645	6"	11700

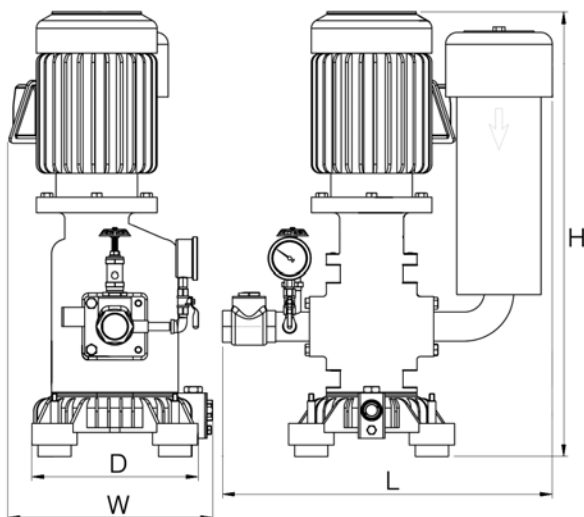
INW Roots blowers

Dimensions

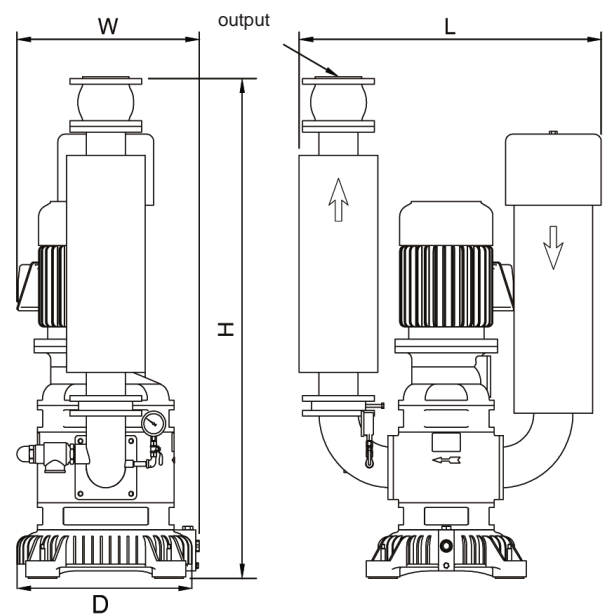
INW R32



INW R40, INW R45



INW R50 - INW R150



INW Roots blowers

Accessories supplied as part of the blower

Model	INW R32 INW R40 INW R45	INW R50, INW R60, INW R65, INW R75, INW R80, INW R90, INW R100, INW R110, INW R125, INW R150
INW R blower accessories	Main Blower, Motor, Intel silencer, Air filter inlet, Safety valve, Check valve, Pressure gauge, Anti vibration foot	Main Blower, Motor, Intel silencer, Air filter inlet, Outlet silencer, Flexible joint, Safety valve, Check valve, Pressure gauge, Anti vibration foot

INECO

**Air and Vacuum
Components**

www.in-eco.eu

IN-ECO, spol. s r.o.
Radlinského 13
034 01 Ružomberok
Slovak Republic

T +421 44 4304662
E info@in-eco.eu

Notes

Place for your notes

INECO

**Air and Vacuum
Components**

www.in-eco.eu

IN-ECO, spol. s r.o.
Radlinského 13
034 01 Ružomberok
Slovak Republic

T +421 44 4304662
E info@in-eco.eu

Notes

Place for your notes

INECO

**Air and Vacuum
Components**

www.in-eco.eu

IN-ECO, spol. s r.o.
Radlinského 13
034 01 Ružomberok
Slovak Republic

T +421 44 4304662
E info@in-eco.eu

Notes

Place for your notes

INECO

IN-ECO, spol. s r.o.
Radlinského 13
034 01 Ružomberok
Slovak Republic
T +421 44 4304662
E info@in-eco.eu
www.in-eco.eu

31.3.2022